

3 CRANK MANUAL LUXURY HOSPITAL BED

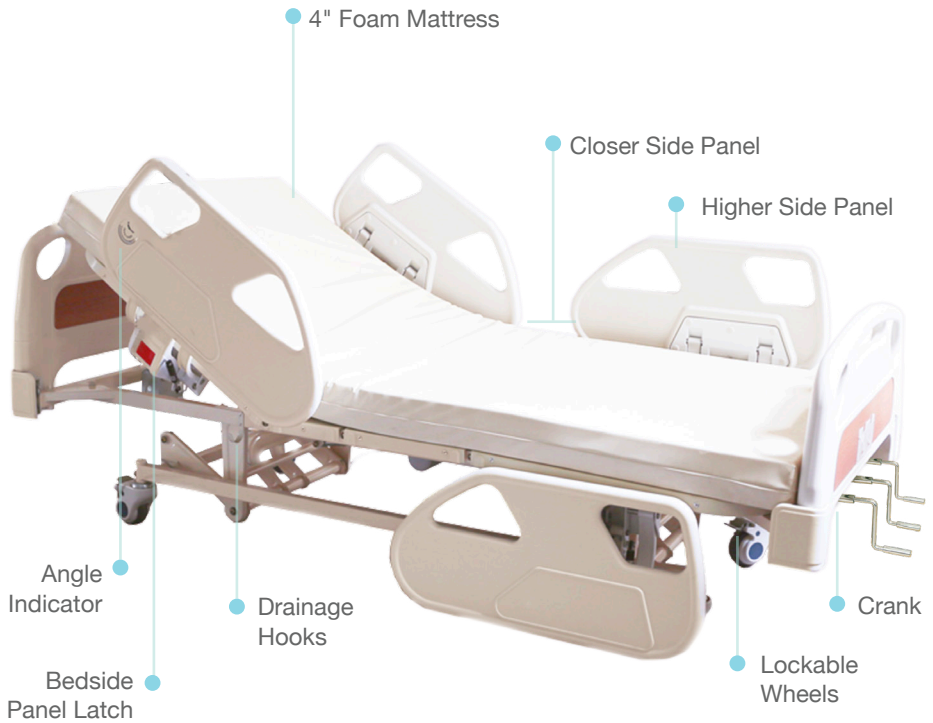


3 CRANK MANUAL LUXURY HOSPITAL BED

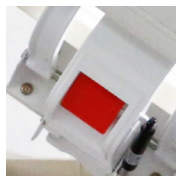
PRODUCT OVERVIEW

Hospital Bed Purchase Includes:

- 4" Standard Comfort Mattress
- I.V. Drip Stand



Closer Side Panel



Panel Latch



Angle Indicator



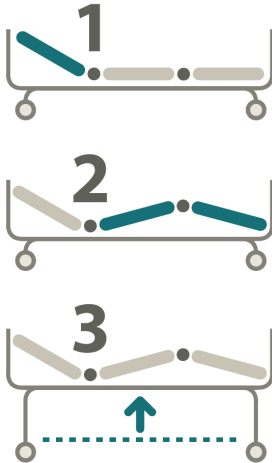
Lockable Wheels



Drainage Hooks

3 CRANK MANUAL LUXURY HOSPITAL BED

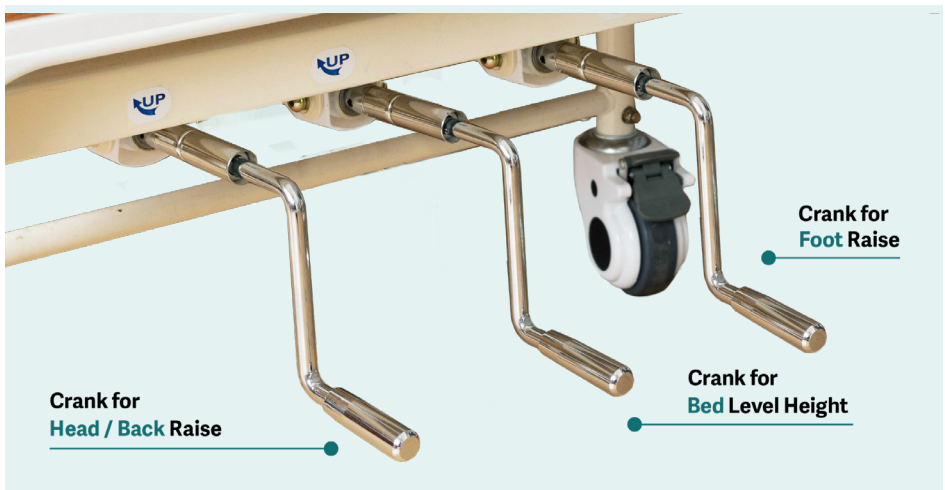
PRODUCT FEATURES



The 3-Crank manual luxury bed is our standard bed for home patient use. It is low in power consumption and only consumes power when the remote is pressed on.

Bed Functions:

- Back Raise lifting angle is 0-80°(±5°)
- Foot Raise lifting angle is 0-40°(±5°)
- Bed Height from 39 cm to 69 cm



All steel parts are powder coated. Each bed can be equipped on both side with side rails. Side rails can be lifted and lowered to protect users against falling out of bed, at the same time enable safe and comfortable boarding and alighting.

CARE INSTRUCTIONS

- When using Hospital Bed, make sure that there is enough room to avoid causing injuries to the user, or damage the Bed
- Ensure the wheels are locked before getting onto and off the Hospital Bed
- Ask for help if users have difficulty adjusting the Hospital Bed
- Do not exceed the maximum load

PRODUCT SPECIFICATIONS

3 CRANK MANUAL LUXURY HOSPITAL BED

Key Features	Head/Back Raise • Leg Raise • Height Adjustable
Bed Railings	Luxury Split Railings
Overall Length	210 cm or 82.7"
Overall Width	98 cm or 38.6"
Overall Height	42 cm - 74 cm or 16.5" - 29" (Floor to Bed base)
Head/Back Raise Angle	0° to 80°
Leg Raise Angle	0° to 40°
Safe Working Load	150 kg

Check out our full range of Hospital Beds & Mattresses. When making comparisons, our best suggestion would be for you to think about your environment and consider how certain task like transferring someone is done before deciding.

Scan the QR code to find out more about the product. To scan, use your camera app or a QR code reader on your device.

